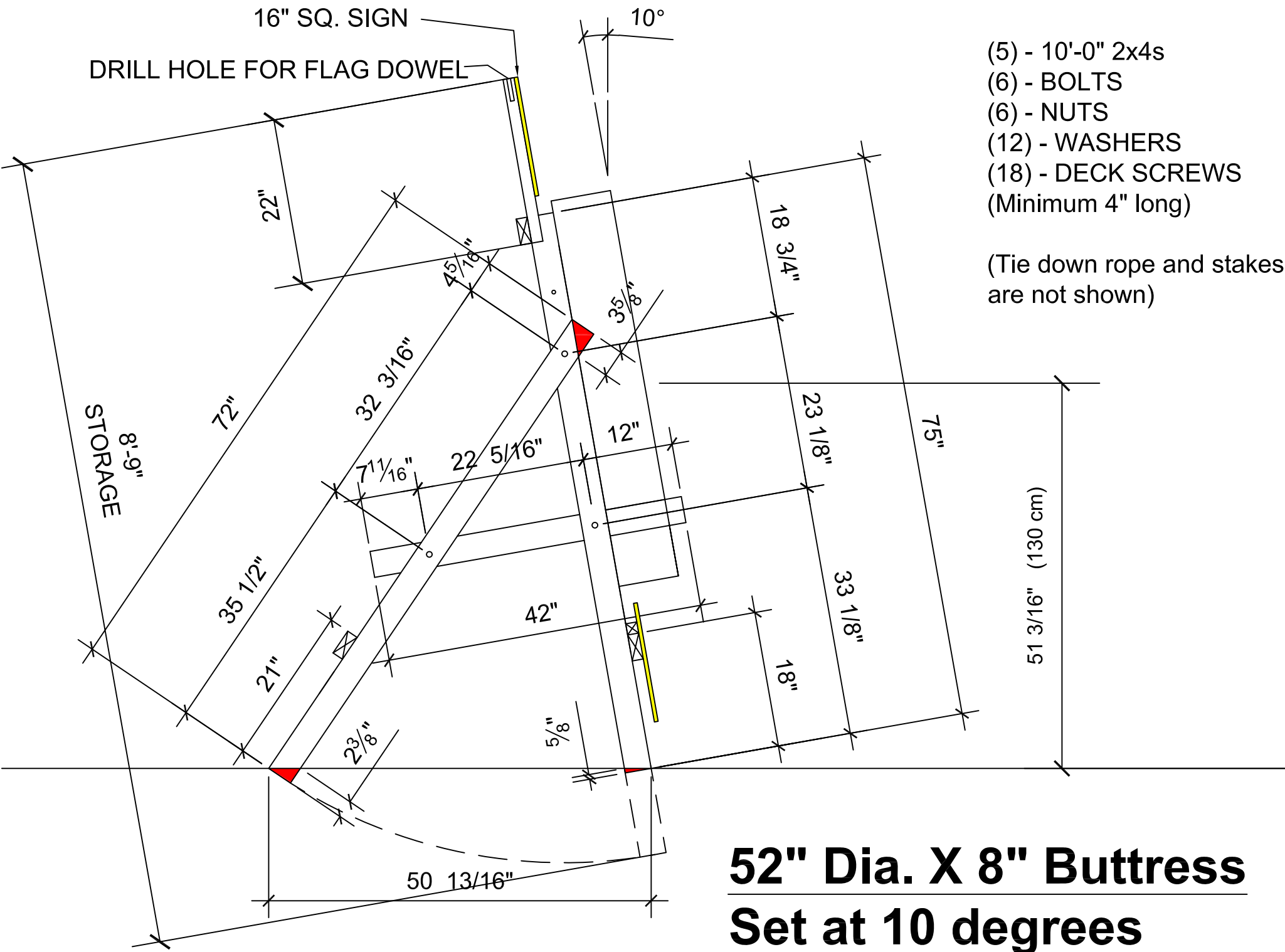


52" DIA. BUTTRESS

8" THICK

SIGN SECTION

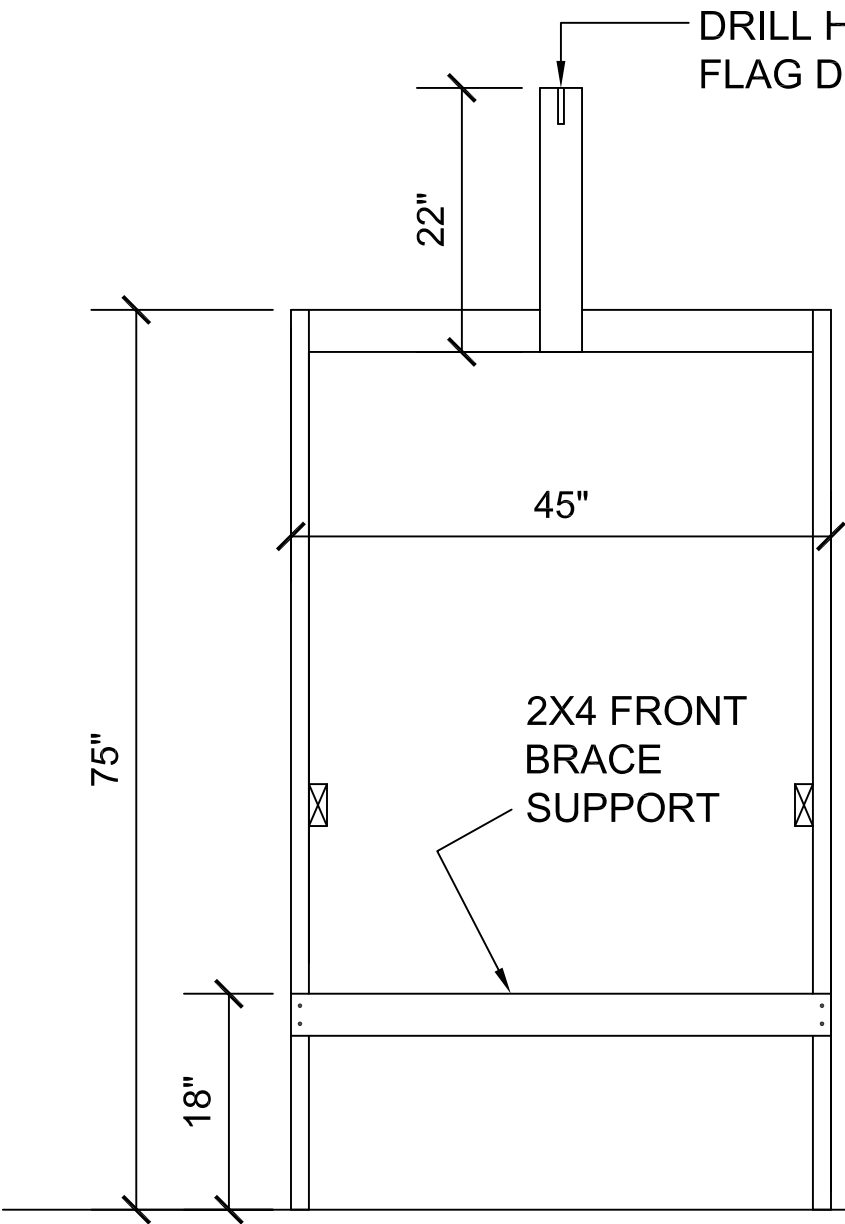
Note: Make one prototype stand to verify dimensions and construction methods prior to bulk ordering.



- (5) - 10'-0" 2x4s
- (6) - BOLTS
- (6) - NUTS
- (12) - WASHERS
- (18) - DECK SCREWS
(Minimum 4" long)

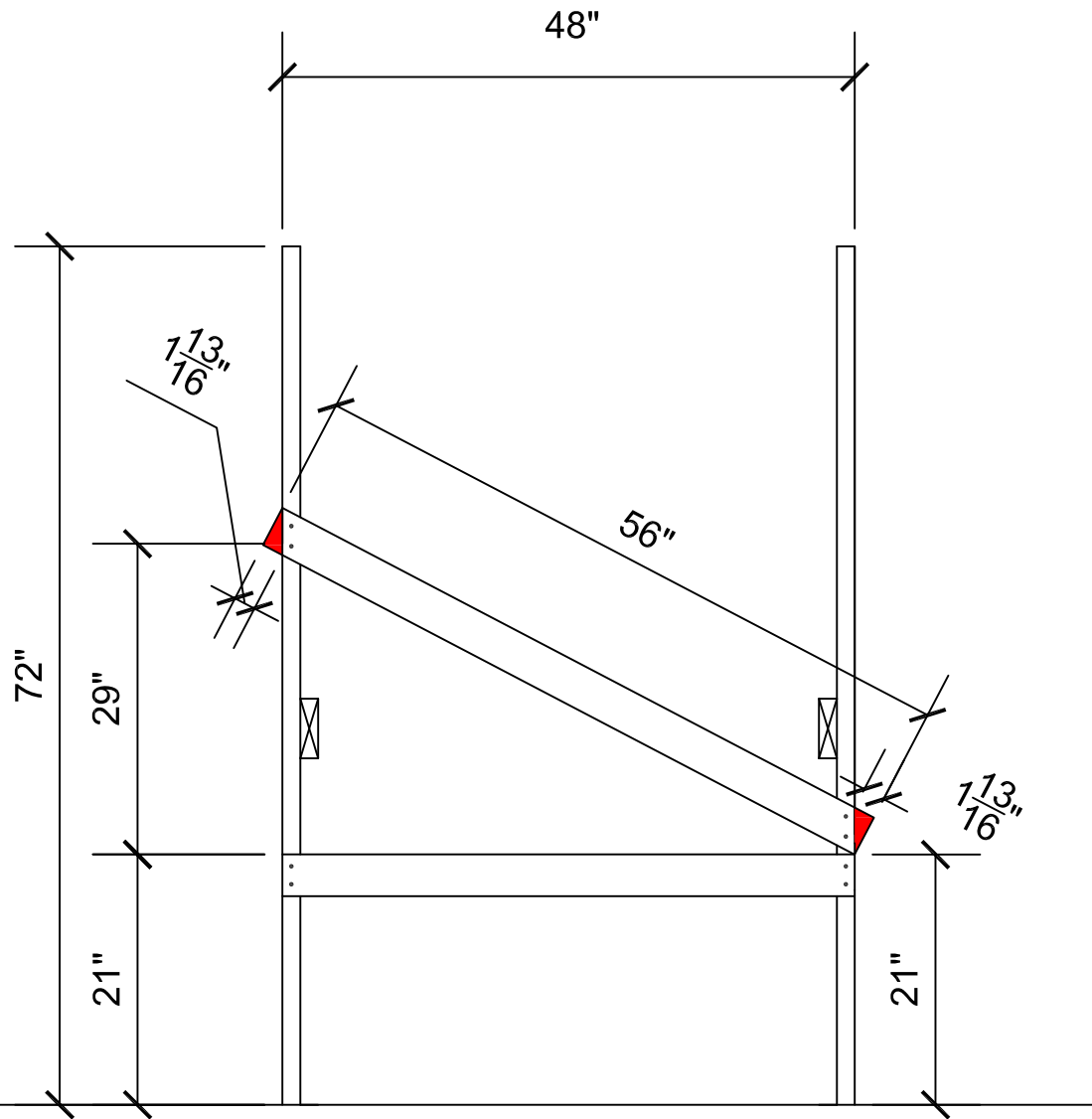
(Tie down rope and stakes are not shown)

52" Dia. X 8" Buttress
Set at 10 degrees

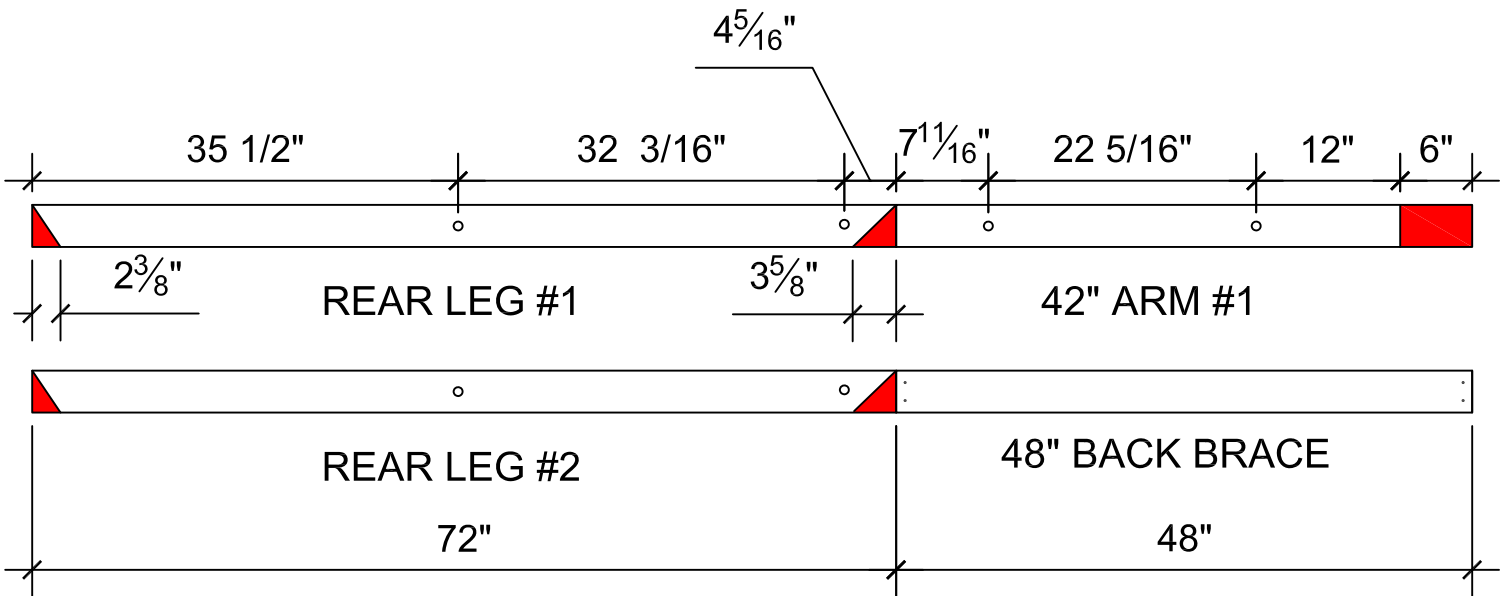
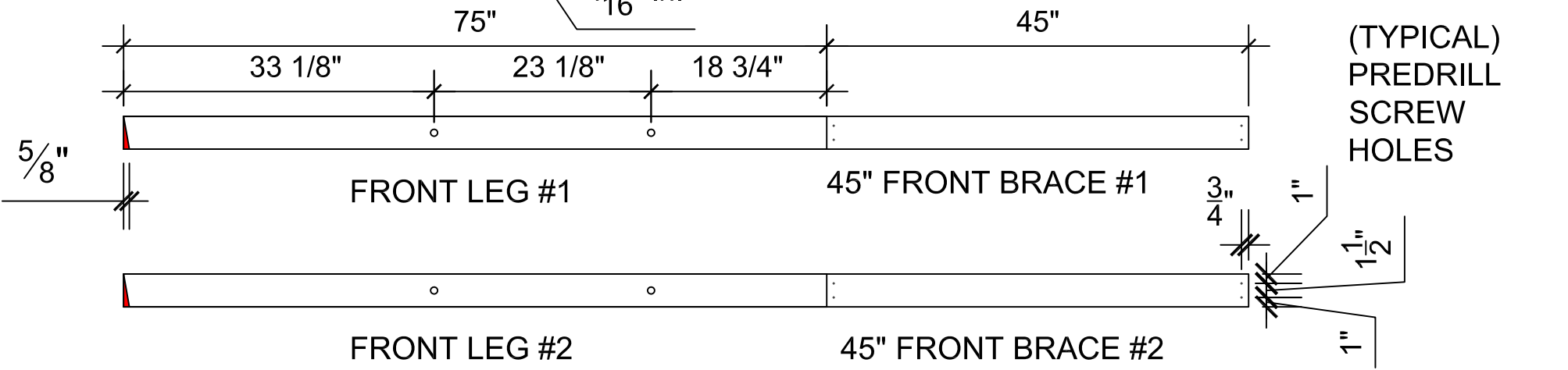
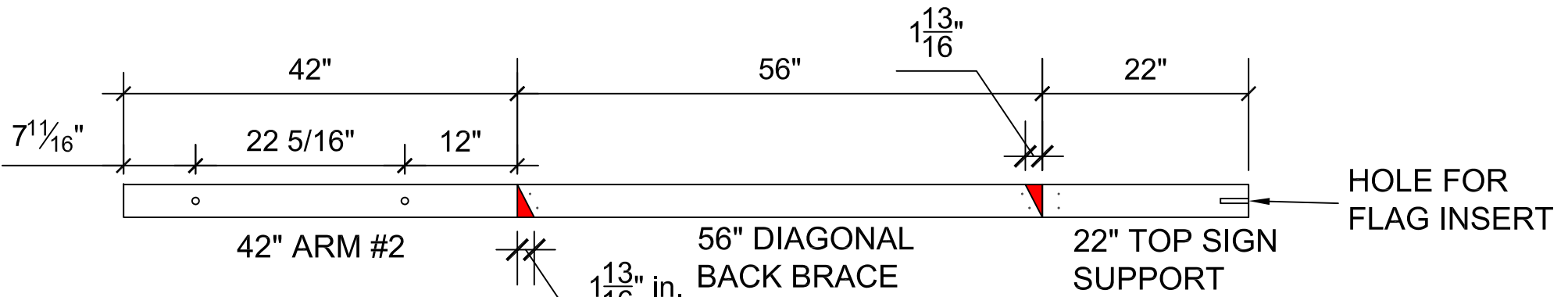


FRONT FRAME ELEVATION

Typical:
 Predrill pilot holes and
 Glue joints at all
 screwed connections



BACK FRAME ELEVATION



- (5) - 10'-0" 2x4s
- (6) - BOLTS
- (6) - NUTS
- (12) - WASHERS
- (18) - DECK SCREWS - 4" LONG MINIMUM